

SERIES 80 LARGE ORIFICE TWO WAY DIAPHRAGM VALVES

SERIES 80 Valves for general applications are available **normally closed** or **normally open**. **Models 818 and 828** are solenoid operated diaphragm valves that use a differential pressure principal.

(Internal Pilot).

Model 827 is a solenoid operated diaphragm valve that can operate at low pressures without any differential pressure across the diaphragm (Direct Lift).

The 80 Series has been designed for high flow applications—large 5/8 diameter orifice.

80 Series valves are constructed with the same quality materials and workmanship as the smaller Peter Paul Valves. Bodies are made of strong brass forgings.

Internal metal parts are stainless steel. Seals are made from Nitrile Rubber (Buna N). Other materials can be provided for special applications.

80 Series valves can be used with most common media—water—air—oil—etc.

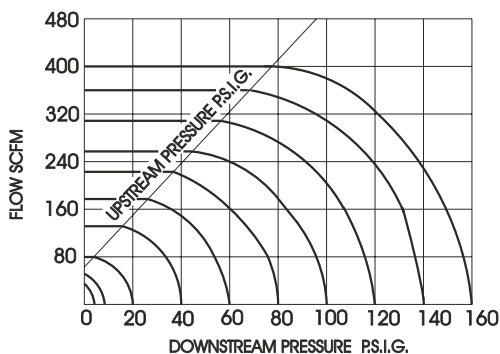
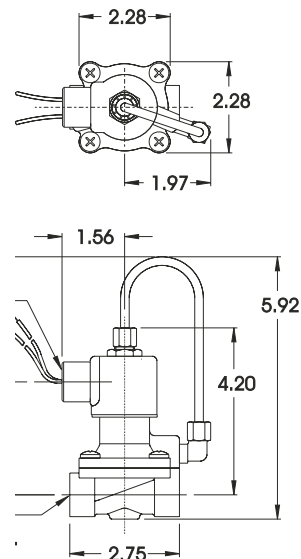
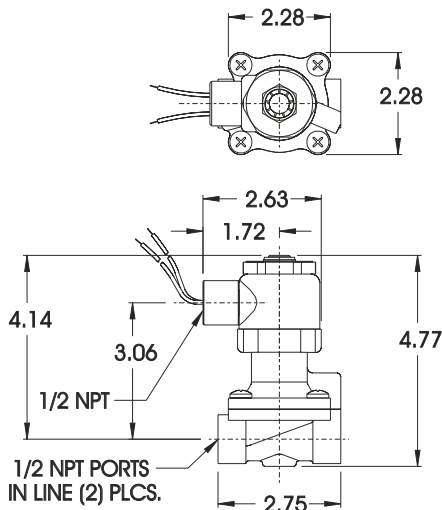
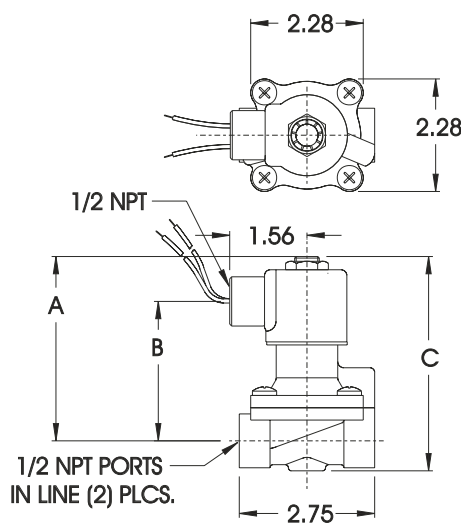
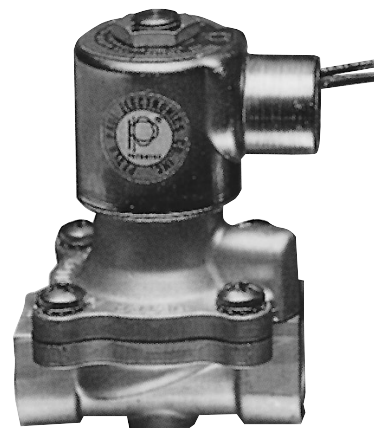
80 Series valves use the same coils and housings as Peter Paul's popular 20 Series valves, therefore, the same wide range of voltages and variations in coil construction and housing configurations are available.

Nominal Power Consumption

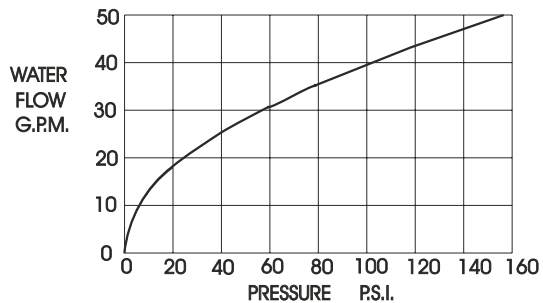
D.C.—9.5 Watts A.C.—7.7 Watts (Typical)

Valve Temperature Range: STANDARD VALVES — 0°F (-18°C) to 104°F (40°C) ambient; 0°F (-18°C) to 150°F (65°C) media.

OPTIONAL VALVES — can tolerate much higher or much lower ambient and media temperatures. Consult factory for specifics.



	MODEL 827	MODEL 828
A	3.56	3.75
B	2.66	2.86
C	4.17	4.38



VALVE TYPE	VALVE NUMBER (CONDUIT HOUSING)	ORIFICE SIZE	PIPE SIZE	MAXIMUM OPERATING PRESSURE AC	MINIMUM OPERATING PRESSURE DC	CV FACTOR
Normally Closed - Direct Lift	827C12DCV	5/8	1/2 NPT	100 PSI	40 PSI	4.0
Normally Closed - Internal Pilot	828C12DCV	5/8	1/2 NPT	150 PSI	150 PSI	4.0
Normally Open - Internal Pilot	818C12DCV	5/8	1/2 NPT	150 PSI	150 PSI	4.0
Normally Closed - Internal Pilot - Explosion Proof	E828C12DCM	5/8	1/2 NPT	150 PSI	150 PSI	4.0
Normally Closed - Internal Pilot - Explosion Proof	E818C12DCM	5/8	1/2 NPT	150 PSI	150 PSI	4.0

